

4MP ColorHunter Fixed Bullet Analog Camera

UAC-B134-ADF28(40)MS-W



Introduction

UAC-B134-ADF28(40)MS-W is a 4MP ColorHunter fixed bullet analog camera with a high-performance 1/1.8-inch CMOS sensor and 3D noise reduction technology. It supports flexible switch among TVI/AHD/CVI/CVBS through DIP switches, effectively enhancing product adaptability and diversity of networking solutions. With SYV-75-3 or other coaxial cable types, the camera can achieve low-cost, long-distance, and anti-interference mega-pixel HD video transmission without time delay. It supports audio input, synchronous transmission of audio and video, and provides 24/7 color images.

Features

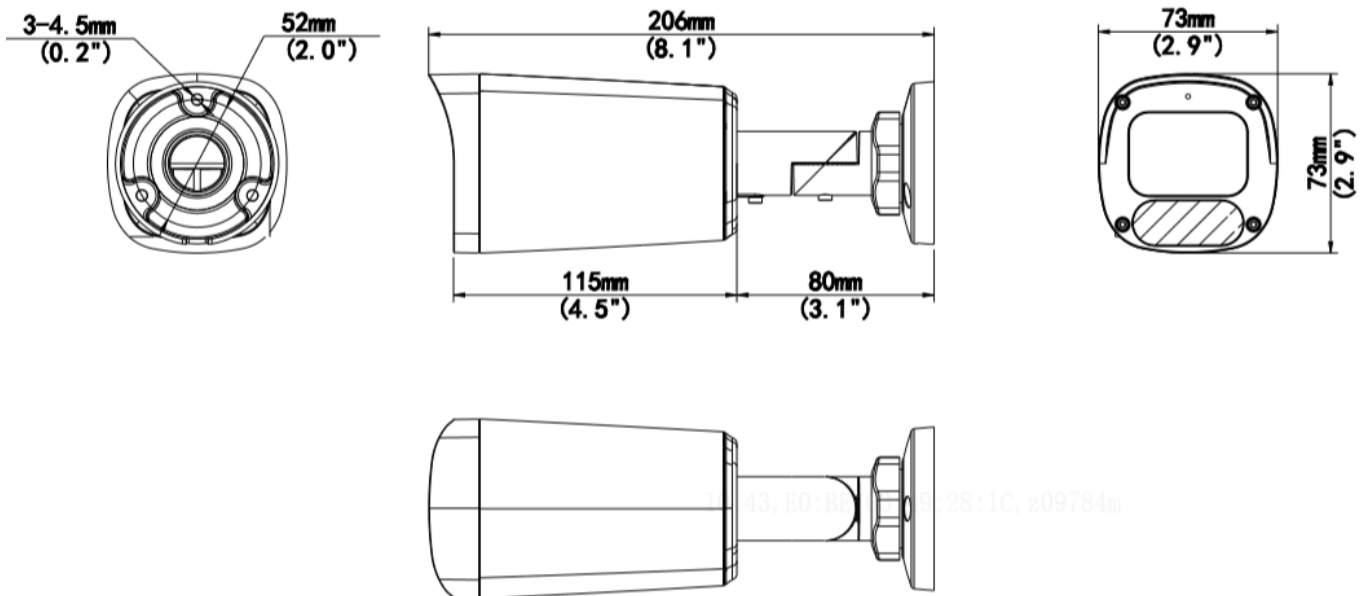
- High quality image with 4MP, F1.0 large aperture lens
- TVI/AHD/CVI/CVBS
- Supports white light illumination, 24/7 color images
- 3D noise reduction technology delivers clean and sharp images
- Supports 180° horizontal flip, 180° vertical flip
- OSD configuration menu, easy to operate
- IP67 waterproof and dustproof design, high reliability
- OSD configuration menu in 11 languages
- Built-in microphone for high quality audio transmission via coaxial cables
- 120dB true WDR technology enables clear image in strong light scene

Specifications

Model	UAC-B134-ADF28MS-W	UAC-B134-ADF40MS-W
Sensor		
Pixel	4MP	
Size	1/1.8"	
Minimum illumination	0.0005 lux (F1.0, AGC ON) 0 lux (white light on)	
Lens		
Lens	2.8mm	4.0mm
Lens mount	M16	
Angle of view	H: 105.9° V: 57.1° D: 125.0°	H: 89.5° V: 48.0° D: 105.9°
Illuminator		
Illuminator	Two white-light illuminators	
Illumination distance	40m	
Lifetime	≥60,000 hours	
Video		
Resolution	4MP: 2560(H) × 1440(V) 1080P: 1920(H)×1080(V)	
Frame rate	CVI/AHD/TVI: 4MP@25fps (default), 4MP@30fps, 1080P@25fps, 1080P@30fps CVBS: PAL, NTSC	
Shutter time	PAL: 1/25s-1/50000s NTSC: 1/30s-1/50000s	
Image		
Exposure mode	Four modes: Global (default), BLC, HLC, WDR	
Day/Night	24/7 color images	
Digital noise reduction	2D/3D	
White balance	Two modes: Auto (default), Manual	
WDR	120dB WDR	
Flip	Supports 180° horizontal flip, 180° vertical flip	
Defog	N/A	
Audio		
Microphone	Built-in Mic	
Camera audio	CVI: 4MP@25fps, 4MP@30fps, 1080P@25fps, 1080P@30fps	
Interface		
Power	5.5mm power interface	
Video output	BNC, supports TVI/AHD/CVI/CVBS	
Operating environment		
Temperature	-30°C to 60°C (-22°F to 140°F)	
Humidity	≤95% (RH, non-condensing)	
Surge protection	4kV	
General		
Power	DC 12V (±25%), with reverse polarity protection, Max 6.8W	
Mount	3D bracket supplied, surface mount (default), optional junction box	
Dimensions	206mm*73mm*73mm (L*W*H)	

Material	Metal
Weight	463g (1.02lb)
Certification	
EMC	CE-EMC (EN 55032,EN 61000-3-3,EN IEC 61000-3-2,EN 55035) FCC (FCC 47 CFR part15 B)
Safety	CE-LVD (EN 62368-1)
Environment	CE-RoHS (2011/65/EU;(EU)2015/863); WEEE (2012/19/EU)
Protection	IP67 (IEC 60529)

Dimensions



UAC-B134-ADF28(40)MS-W

Accessories

TR-JB05-B-IN

Junction Box



PWR-DC1201A-EU

Wall Plug-in EU Power

TR-A01-IN

Waterproof Joint



PWR-DC1201A-UK

Wall Plug-in UK Power

TR-UP06-C-IN

Pole Mount

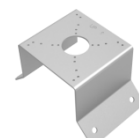


PWR-DC1201A-US

Wall Plug-in US Power

TR-UC08-C

Corner Mount



Adapter



Adapter

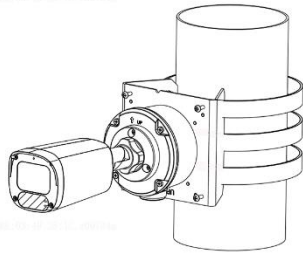


Adapter

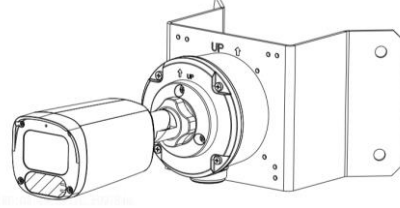


Mount

TR-JB05-B-IN+TR-UP06-C-IN



TR-JB05-B-IN+TR-UC08-C



Zhejiang Uniview Technologies Co., Ltd.

Building No. 369, Xietong Road, Xixing Sub-district, Binjiang District, Hangzhou City, Zhejiang Province, China (310051)

Email: overseasbusiness@uniview.com; globalsupport@uniview.com

<https://www.uniview.com>

©2023 Zhejiang Uniview Technologies Co., Ltd. All rights reserved.

*Product specifications and availability are subject to change without notice.